



PANOVAR

**The Most Favored Decorative
Material Brand By Designers**



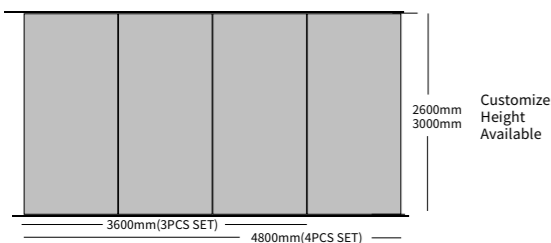
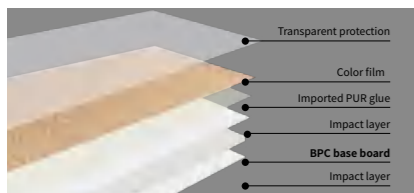
PANOVAR

PANOVAR WALL PANEL



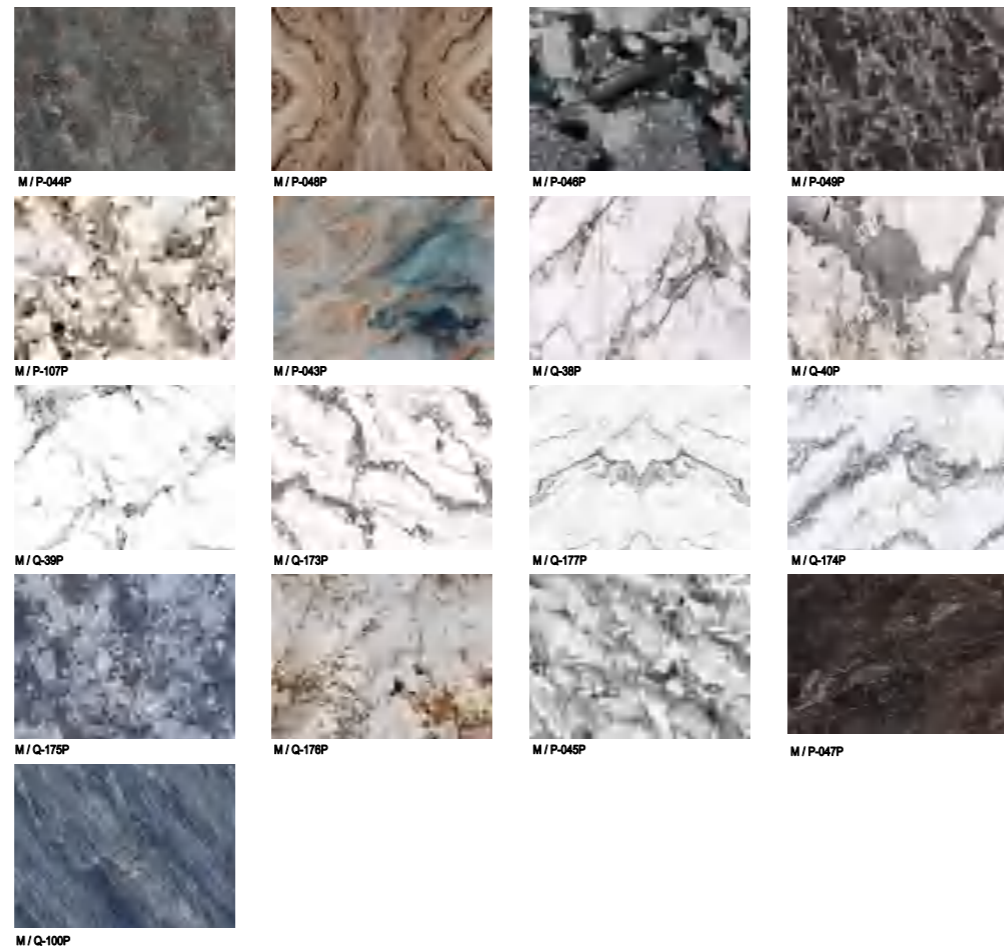
Bamboo BPC Panel

Base Material : Resin / Bamboo Charcoal Powder/ Calcium Powder / Processing AIDS
 Surface Material : PET-G / PP / PVC
 Fire Proof Rating : B1/B2
 Formaldehyde Level: ENF/E0
 Certification : CE, SGS, ECO, CNAS, ISO 9001
 Application : Interior Wall & Ceiling Decoration



Container Loading (Estimate 2.8m)		
Thickness:	5mm	8mm
Length:	2.8m	2.8m
Width:	1220mm	1220mm
Panels/Pallet:	150 PCS	85 PCS
CBM/Pallet:	3.74	3.81
20'GP:	760 PCS	470 PCS
40'GP:	1520 PCS	940 PCS
40'HQ:	1760 PCS	1100 PCS

MARBLE CONNECTED PATTERN SERIES (Sell By Set)



Certifications



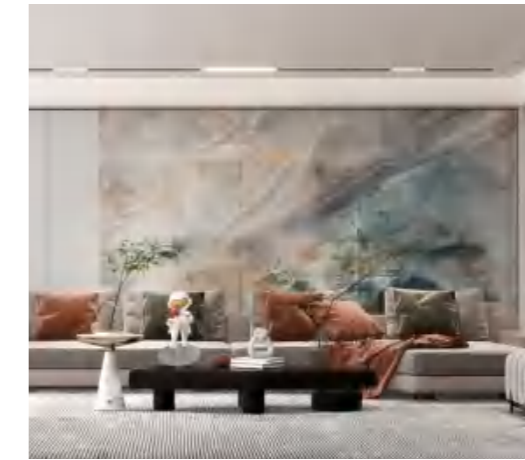
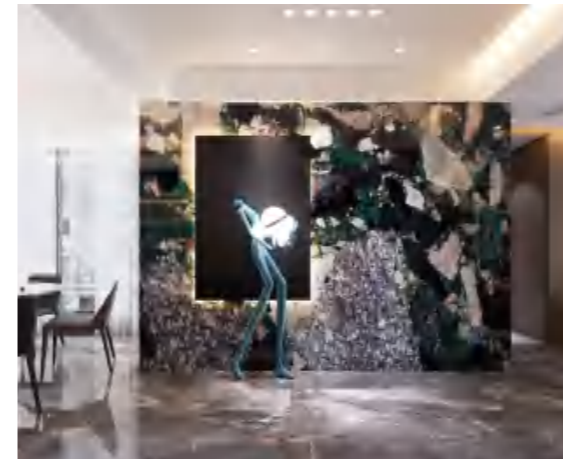
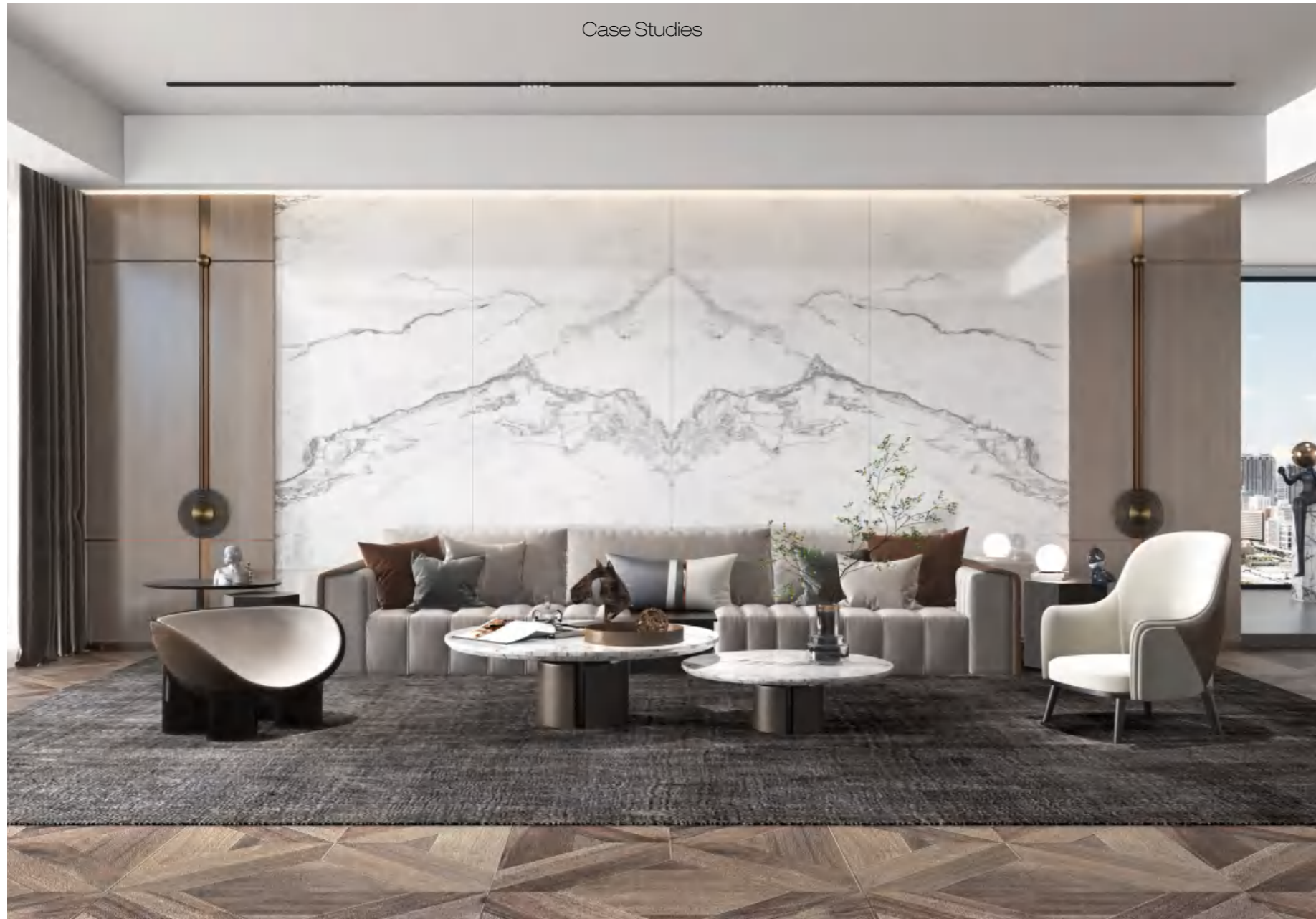


Explore More

Patterns
In The Color Catalog

Sincerely,



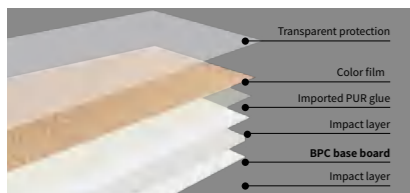


MARBLE GLOSSY/MATTE SERIES

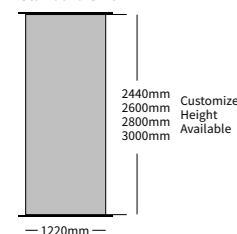


Bamboo BPC Panel

Base Material : Resin / Bamboo Powder/ Calcium Powder / Processing AIDS
 Surface Material : PET-G / PP / PVC
 Fire Proof Rating : B1/B2
 Formaldehyde Level: ENF/E0
 Certification : CE, SGS, ECO, CNAS, ISO 9001
 Application : Interior Wall & Ceiling Decoration

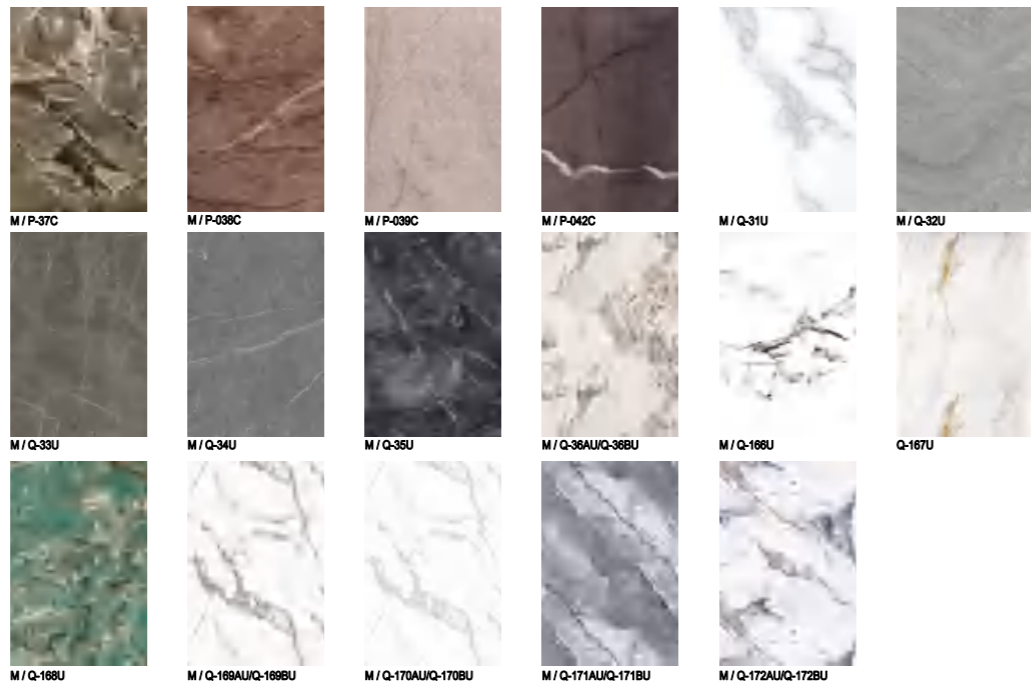


Standard Size

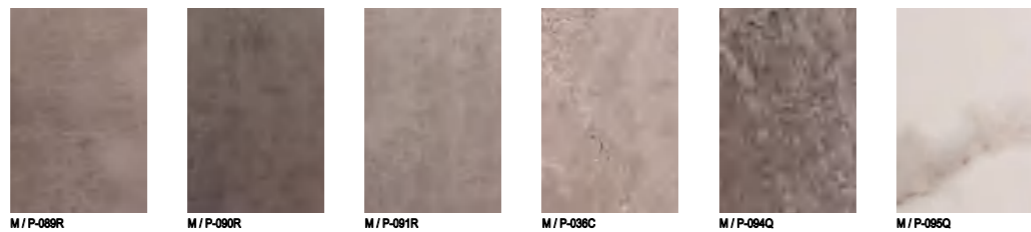


Container Loading (Estimate 2.8m)		
Thickness:	5mm	8mm
Length:	2.8m	2.8m
Width:	1220mm	1220mm
Panels/Pallet:	150 PCS	85 PCS
CBM/Pallet:	3.74	3.81
20'GP:	760 PCS	470 PCS
40'GP:	1520 PCS	940 PCS
40'HQ:	1760 PCS	1100 PCS

MARBLE GLOSSY SERIES



MATTE SLATE & ROCK SERIES



Certifications

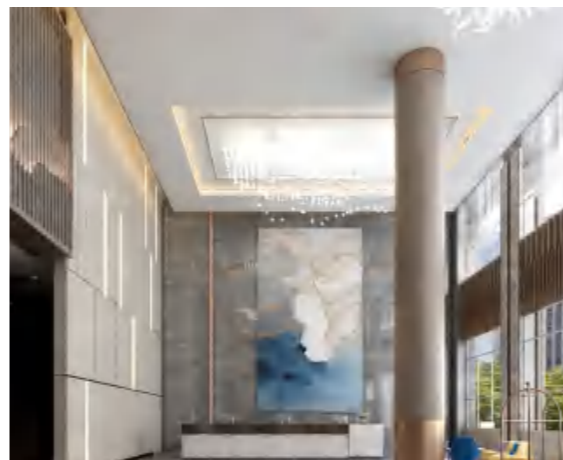




Explore More

Patterns
In The Color Catalog

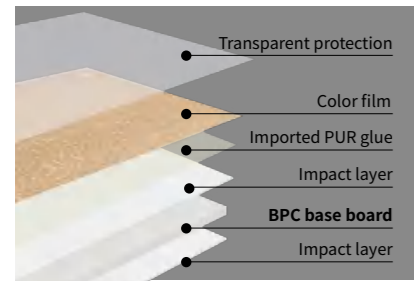
Sincerely,



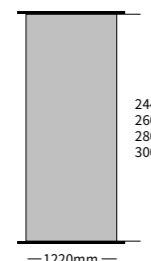


Bamboo BPC Panel

Base Material : Resin / Bamboo Powder/ Calcium Powder / Processing AIDS
 Surface Material : PET-G / PP / PVC
 Fire Proof Rating : B1/B2
 Formaldehyde Level: ENF/E0
 Certification : CE, SGS, ECO, CNAS, ISO 9001
 Application : Interior Wall & Ceiling Decoration



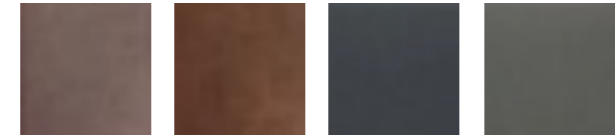
Standard Size



2440mm
2600mm
2800mm
3000mm
Customize Height Available

Container Loading (Estimate 2.8m)		
Thickness:	5mm	8mm
Length:	2.8m	2.8m
Width:	1220mm	1220mm
Panels/Pallet:	150 PCS	85 PCS
CBM/Pallet:	3.74	3.81
20'GP:	760 PCS	470 PCS
40'GP:	1520 PCS	940 PCS
40'HQ:	1760 PCS	1100 PCS

AGED METAL MATTE SERIES



M / P-068L M / P-067L M / K01-HM011R M / K01-HM012R

METAL BRIGHT SERIES



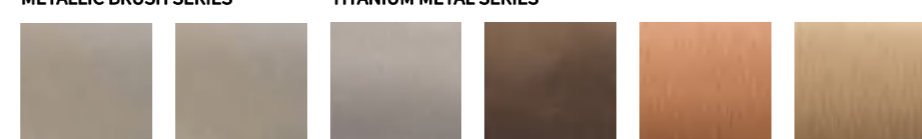
M / P-020K M / P-018K M / P-013K M / P-014K M / P-016K

METALLIC CIRCLE SERIES



M / Q-95V M / Q-96V M / P-050Y M / P-052Y M / P-051Y

METALLIC BRUSH SERIES



M / Q-97V M / Q-98V M / P-060K M / P-027K M / P-028K M / P-029K

METALLIC CIRCLE SERIES



M / Q-95V M / Q-96V M / P-050Y M / P-052Y M / P-051Y

TITANIUM METAL SERIES



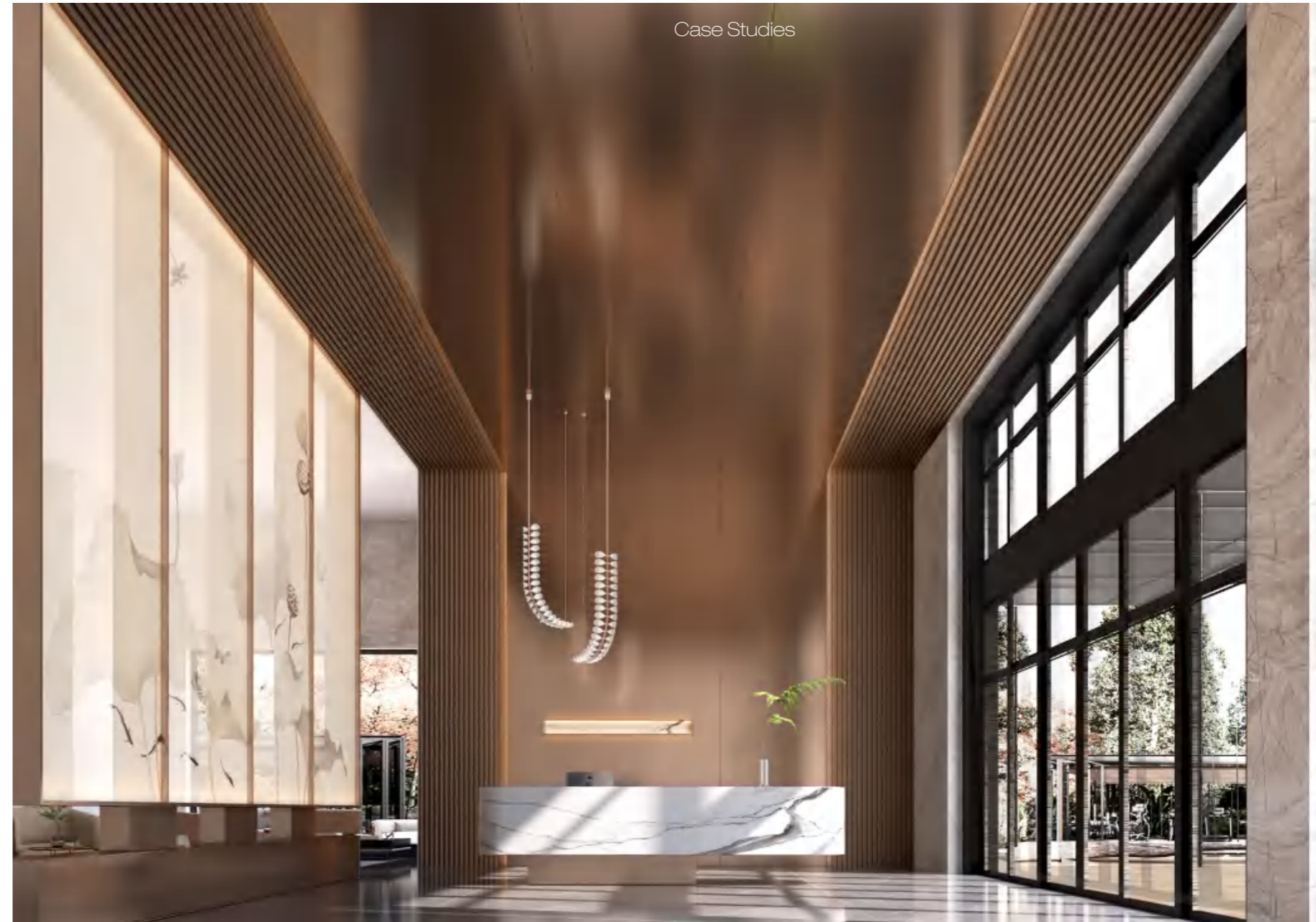
M / Q-97V M / Q-98V M / P-060K M / P-027K M / P-028K M / P-029K

METAL MATTE SERIES



M / Q-182L M / Q-179L M / Q-180L M / Q-183L M / Q-178L M / Q-181L

Certifications





Explore More

Patterns
In The Color Catalog

Sincerely,

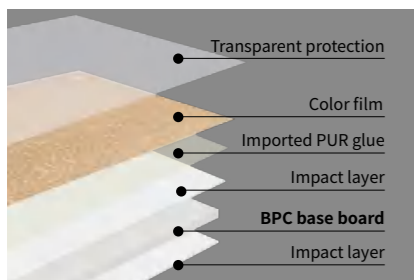


WOOD SCRATCH-RESISTANT SERIES

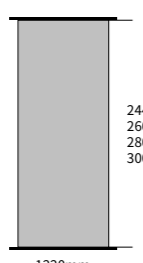


Bamboo BPC Panel

Base Material : Resin / Bamboo Powder/ Calcium Powder / Processing AIDS
 Surface Material : PET-G / PP / PVC
 Fire Proof Rating : B1/B2
 Formaldehyde Level: ENF/E0
 Certification : CE, SGS, ECO, CNAS, ISO 9001
 Application : Interior Wall & Ceiling Decoration



Standard Size



2440mm
2600mm
2800mm
3000mm
Customize Height Available

WOOD SCRATCH-RESISTANT SERIES



M / P-077R M / P-075R M / P-076R M / P-092R M / P-093R M / P-071R



M / P-072R M / P-073R M / P-074R M / P-108R M / P-109R M / P-110R



M / P-111R M / P-101Q M / P-078R M / P-070R M / P-068R M / P-097Q

FABRIC EASY CLEAN SERIES



M / P-096Q M / P-001U M / P-087R M / P-088R M / P-002Q

REGULAR FABRIC SERIES



M / P-098Q M / P-099Q M / P-100Q

Certifications



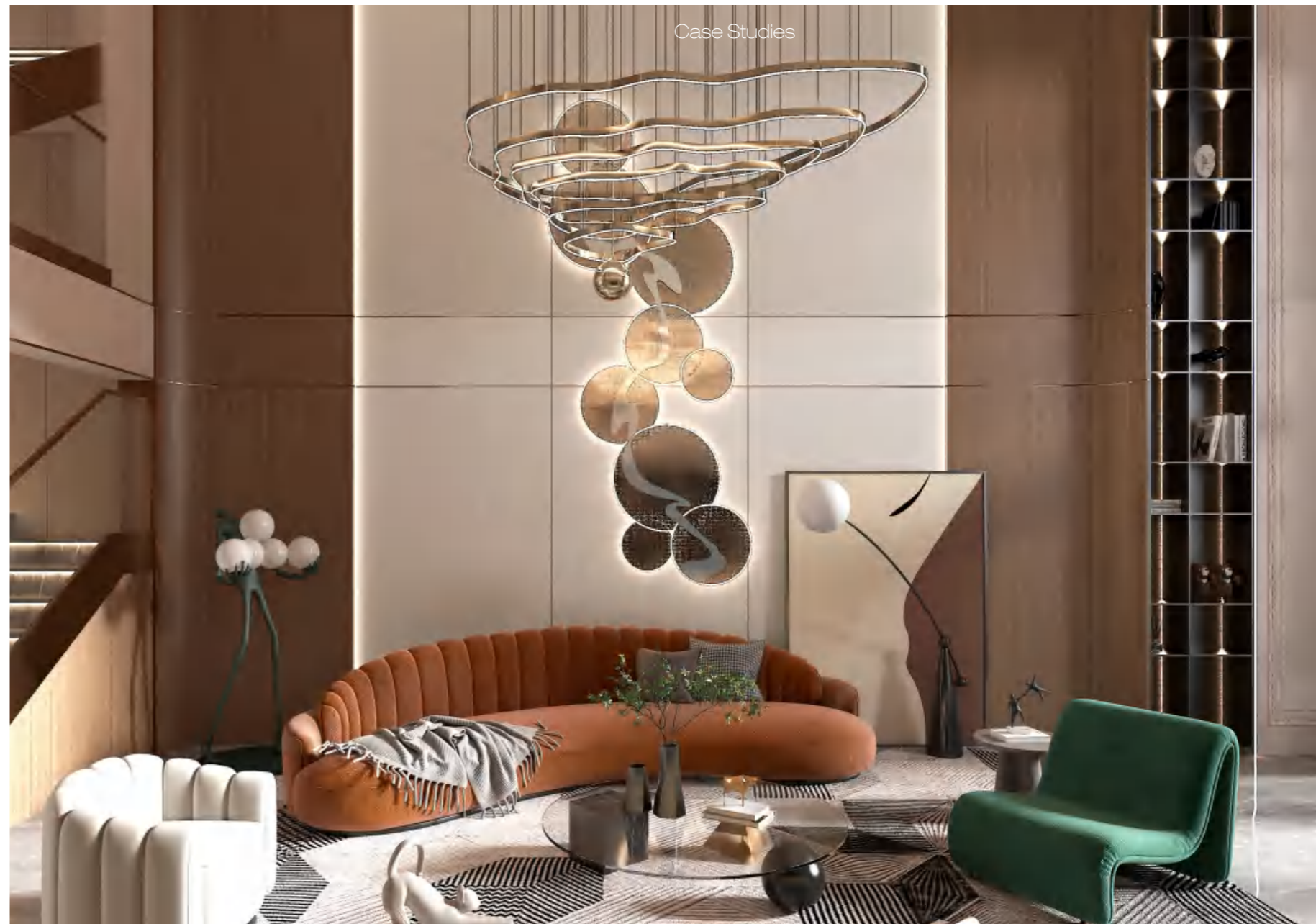
NO:801063844849



NO:SHAHL23015568201



Case Studies

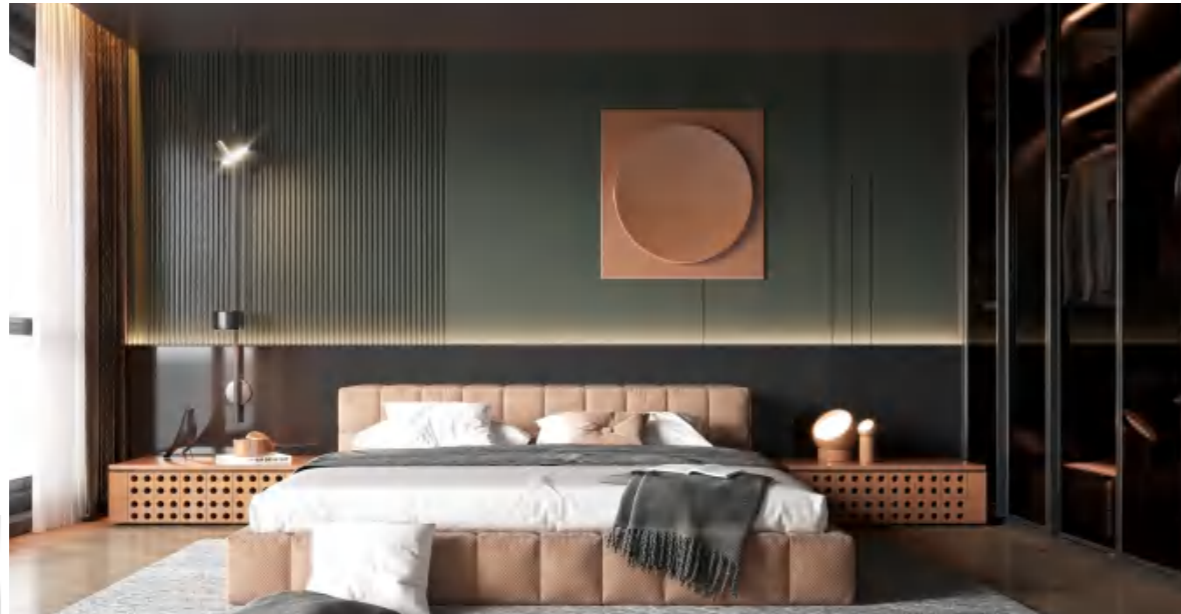




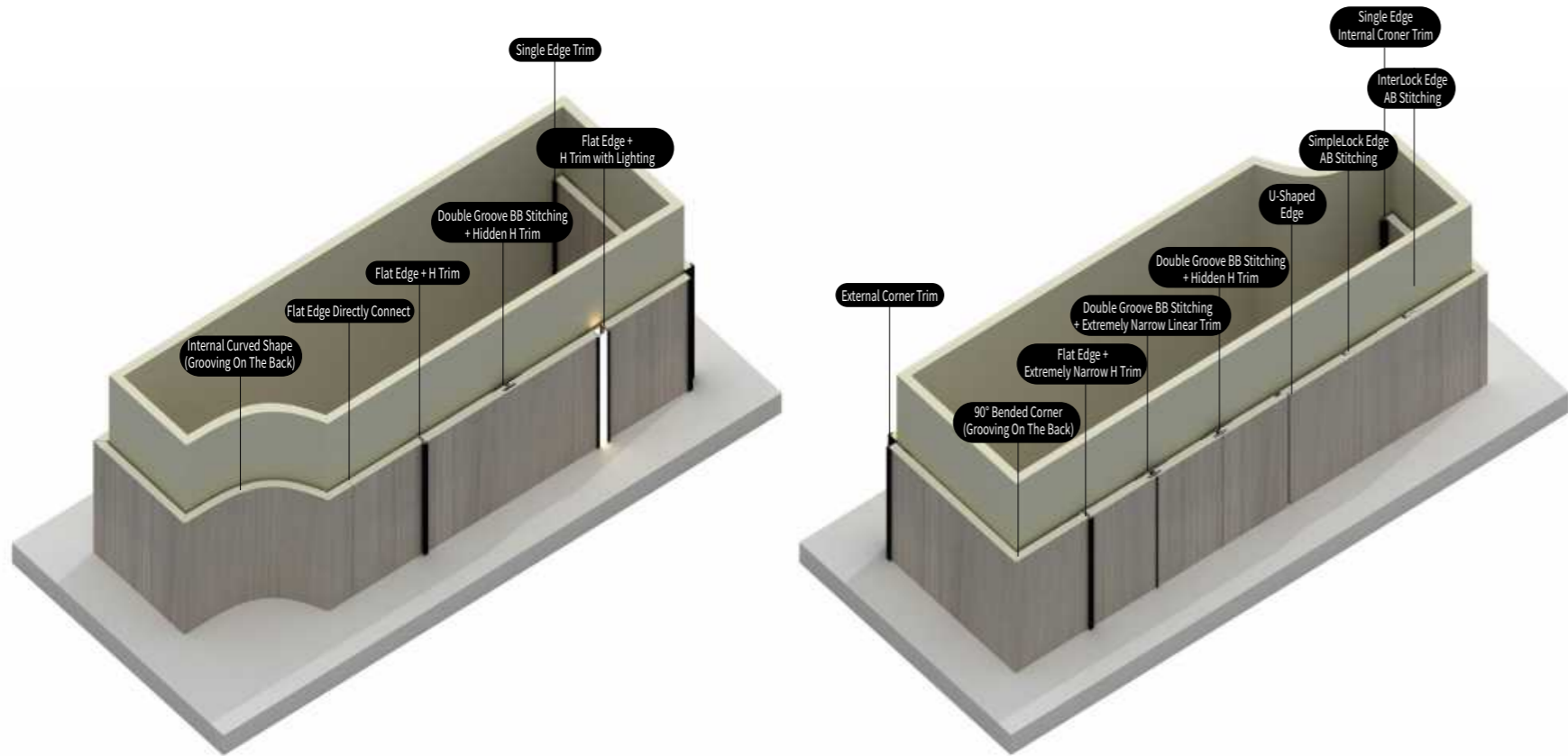
Explore More

Patterns
In The Color Catalog

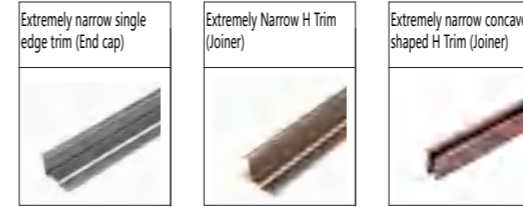
Sincerely,



Within a project, there are always different corners and connections that need to be resolved. A complete panels & board system with abundant profile options will provide more options for final results and easier solutions.



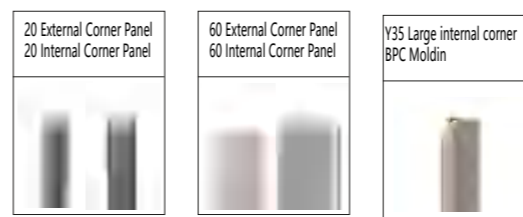
Extremely narrow Category



Skirting Line (Baseboard) Category



Skirting Line (Baseboard) Category



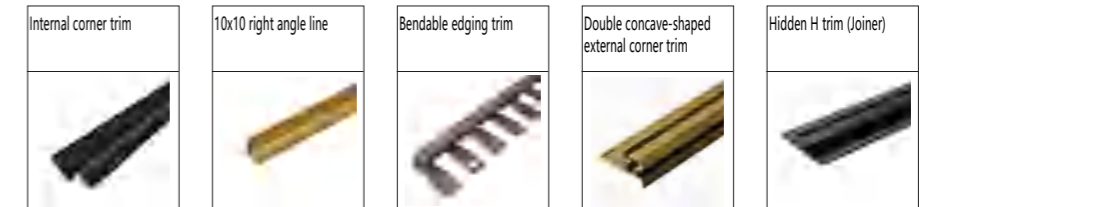
Explore More

Profiles Options
In Our System Or Web

Edge Trimming Category



Decorative Category



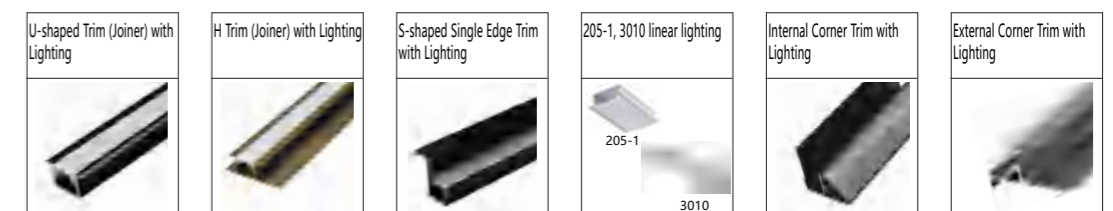
Edge trims with lighting Category



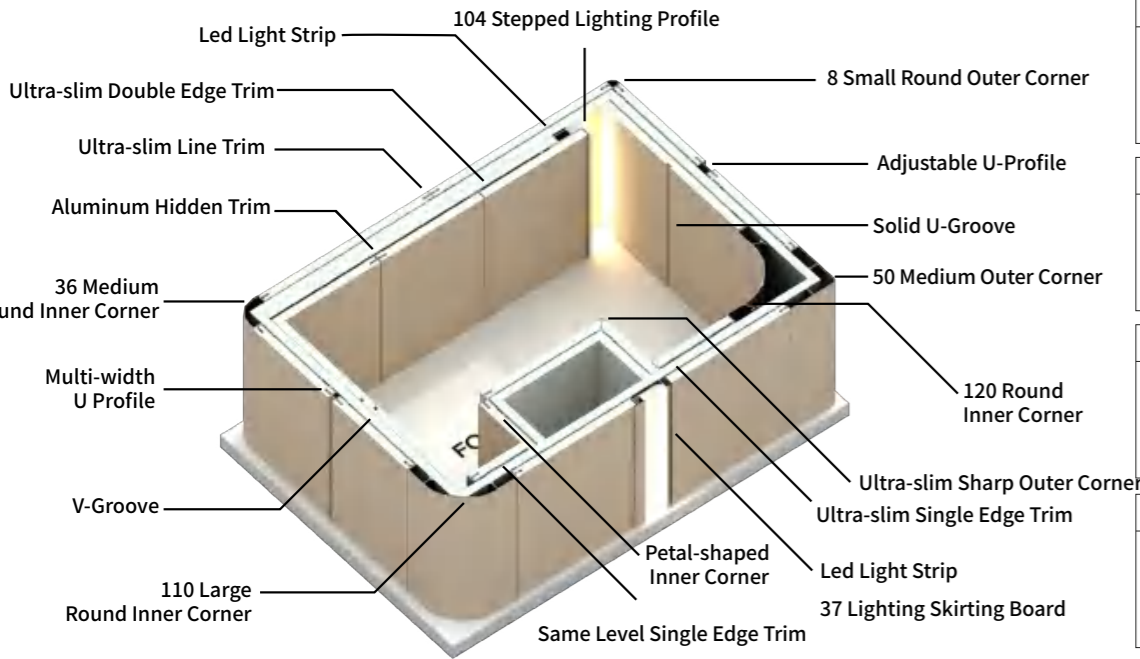
Aluminum Skirting Board



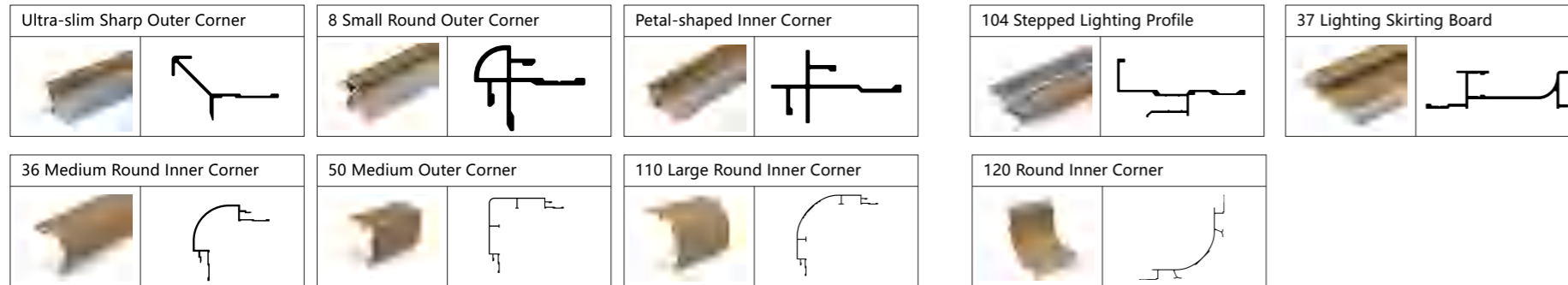
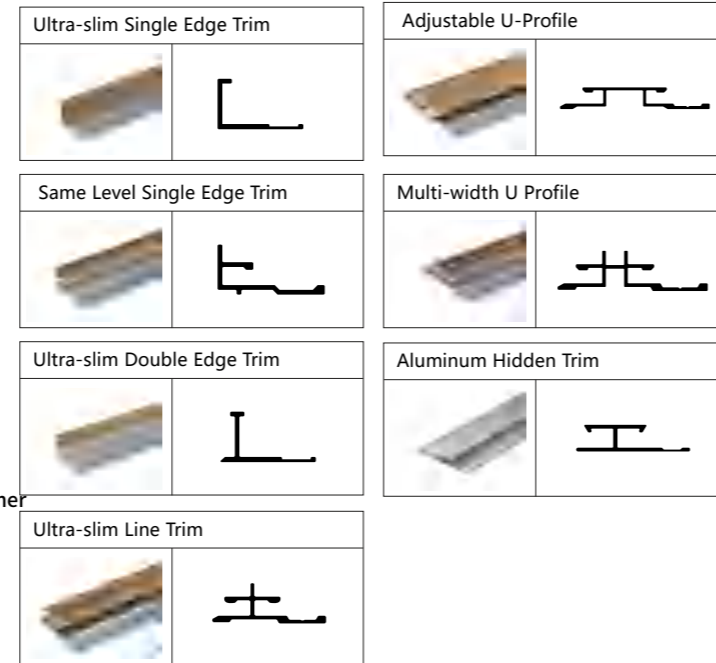
Decoration category



In today's trend toward simplicity and seamless interiors, a fully color-matched aluminum profile system offers limitless design possibilities. With a wide range of profile options to address every connection detail, it ensures a flawless finish, enhances visual continuity, and simplifies installation—bringing both beauty and efficiency to modern interior spaces.



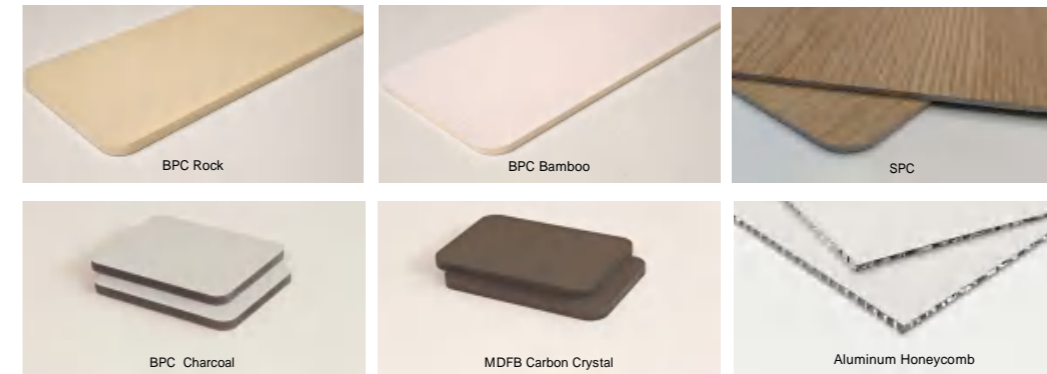
Same color hardware



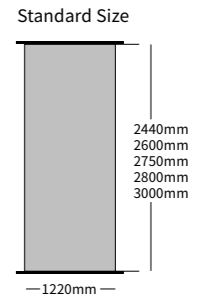
Edge Types & Connection Types

	Flat Edges	BB Stitching Double Groove	AB stitching SimpleLock Edge	AB stitching Interlock Edges	Pillowed Edges (V-shaped)	Pillowed Edges (U-shaped)	BB Stitching Fold In Groove	Three Face Cover	Six Face Cover
PVC	√	√	√	√	√	√	√	√	√
PP	√	√	√	√	×	×	×	×	×
PETG	√	√	√	√	×	×	×	×	×

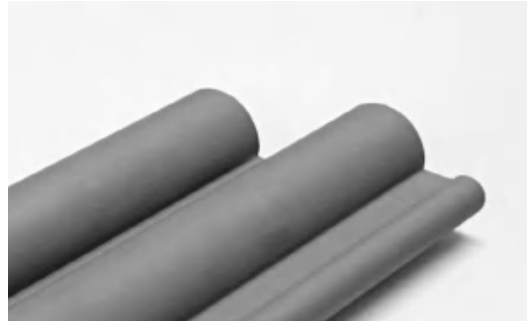
Base Layer Options



Diverse Size Combinations

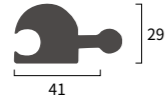


Flexible Rotate Shapes



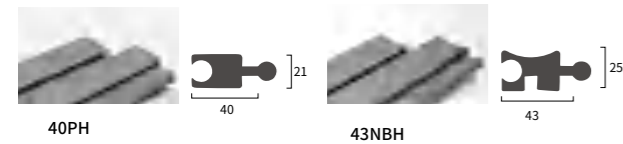
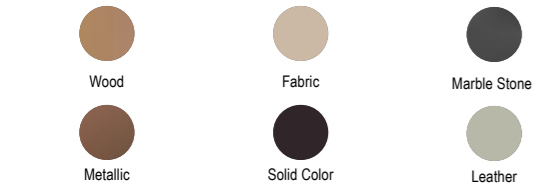
MODEL: 41BTH

FRONT SIZE AFTER INSTALLATION:
41mm(W)*3000mm(H)

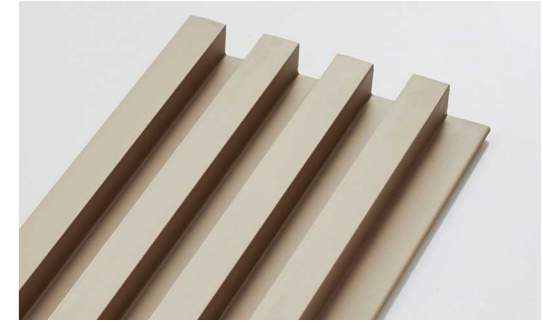


Pack Info		
Panels/Box:	20	
CBM/Box:	0.10	
Container Loading (Estimate 2.8m)		
20'GP:	260BOX	5280PCS
40'GP:	490BOX	9760PCS
40'HQ:	490BOX	9760PCS

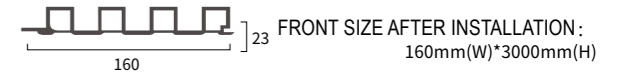
Texture Selection



Fluted Shapes



MODEL: 160GS



Pack Info		
Panels/Box:	14	
CBM/Box:	0.11	
Container Loading (Estimate 2.8m)		
20'GP:	260BOX	3700PCS
40'GP:	530BOX	7400PCS
40'HQ:	580BOX	8060PCS

Texture Selection



Application Area

HOTEL HOME LIBRARY SCHOOL MALL
SUPERMARKET OFFICE CLUB CATERING

Fluted Shapes

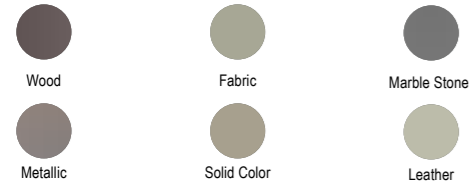


MODEL: 139XGS

FRONT SIZE AFTER INSTALLATION: 139mm(W)*3000mm(H)

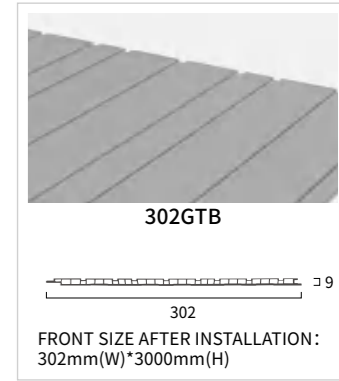
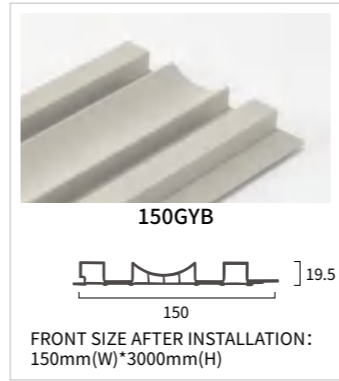
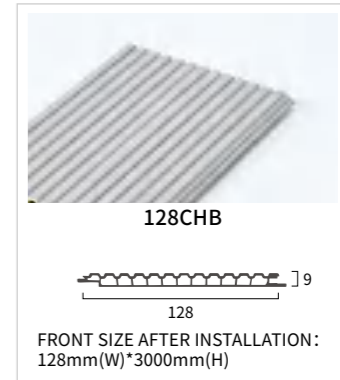
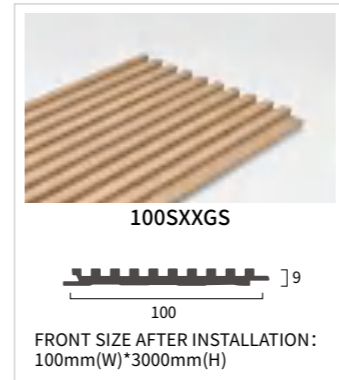
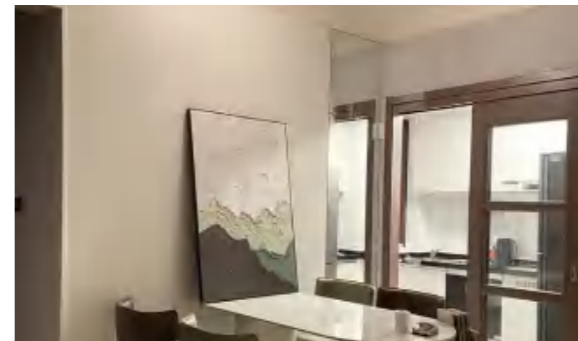
Pack Info		
Panels/Box:	20	
CBM/Box:	0.10	
Container Loading (Estimate 2.8m)		
20'GP:	260BOX	5280PCS
40'GP:	500BOX	10080PCS
40'HQ:	500BOX	10080PCS

Texture Selection



Application Area

HOTEL HOME LIBRARY SCHOOL MALL
SUPERMARKET OFFICE CLUB CATERING

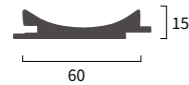


Waves Shapes



MODEL: 60YYB

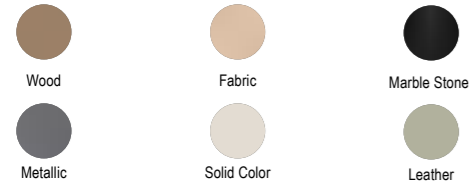
FRONT SIZE AFTER INSTALLATION:
60mm(W)*3000mm(H)



Pack Info		
Panels/Box:	35	
CBM/Box:	0.12	
Container Loading (Estimate 2.8m)		
20'GP:	240BOX	8400PCS
40'GP:	480BOX	16800PCS
40'HQ:	530BOX	18550PCS

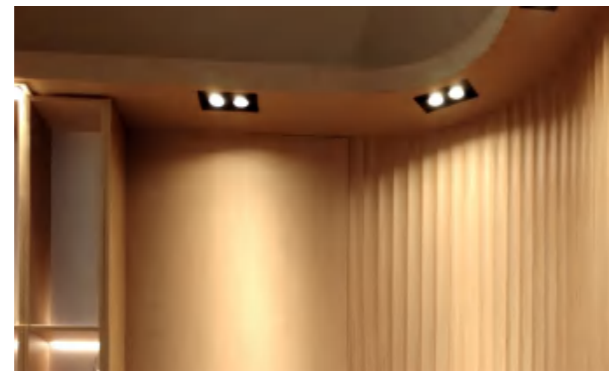


Texture Selection

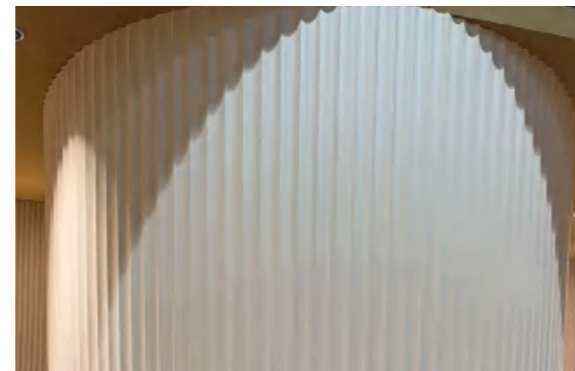


Application Area

HOTEL HOME LIBRARY SCHOOL MALL
SUPERMARKET OFFICE CLUB CATERING



Inner Arc



Outer Arc




120BYB




FRONT SIZE AFTER INSTALLATION:
120mm(W)*3000mm(H)



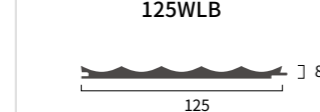
110XSNYB



FRONT SIZE AFTER INSTALLATION:
110mm(W)*3000mm(H)



125WLB




FRONT SIZE AFTER INSTALLATION:
125mm(W)*3000mm(H)



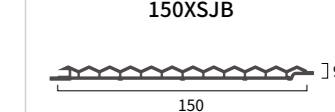
140BLB



FRONT SIZE AFTER INSTALLATION:
140mm(W)*3000mm(H)



150XSJB



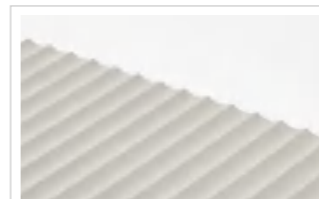
FRONT SIZE AFTER INSTALLATION:
150mm(W)*3000mm(H)



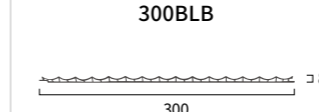
170NOB



FRONT SIZE AFTER INSTALLATION:
170mm(W)*3000mm(H)



300BLB



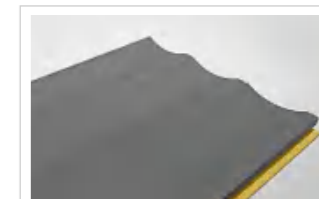
FRONT SIZE AFTER INSTALLATION:
300mm(W)*3000mm(H)



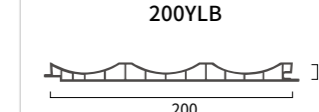
206SXBGZSQB




FRONT SIZE AFTER INSTALLATION:
206mm(W)*3000mm(H)




200YLB



FRONT SIZE AFTER INSTALLATION:
200mm(W)*3000mm(H)



44YYB

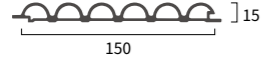


FRONT SIZE AFTER INSTALLATION:
44mm(W)*3000mm(H)

Semicircle Shapes

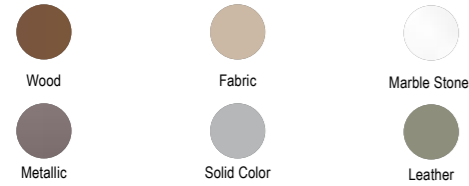


MODEL: 150XBY

FRONT SIZE AFTER INSTALLATION: ]15
150mm(W)*3000mm(H)

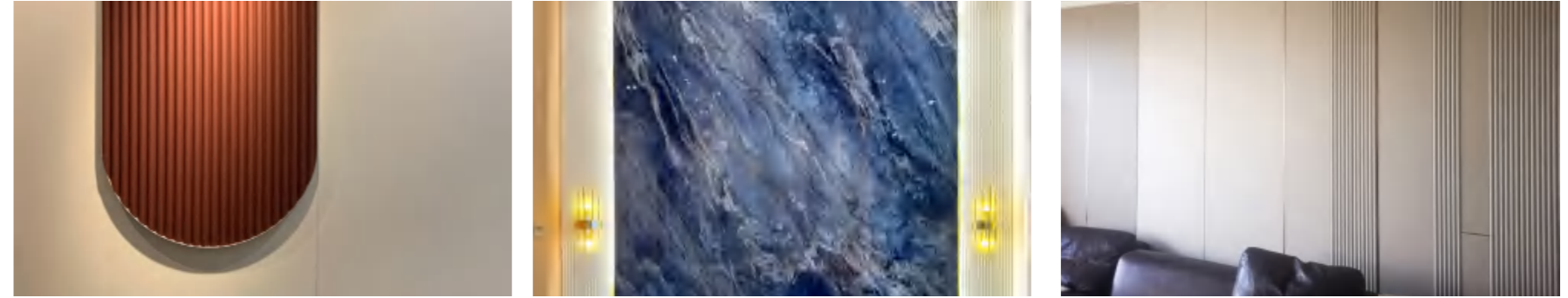
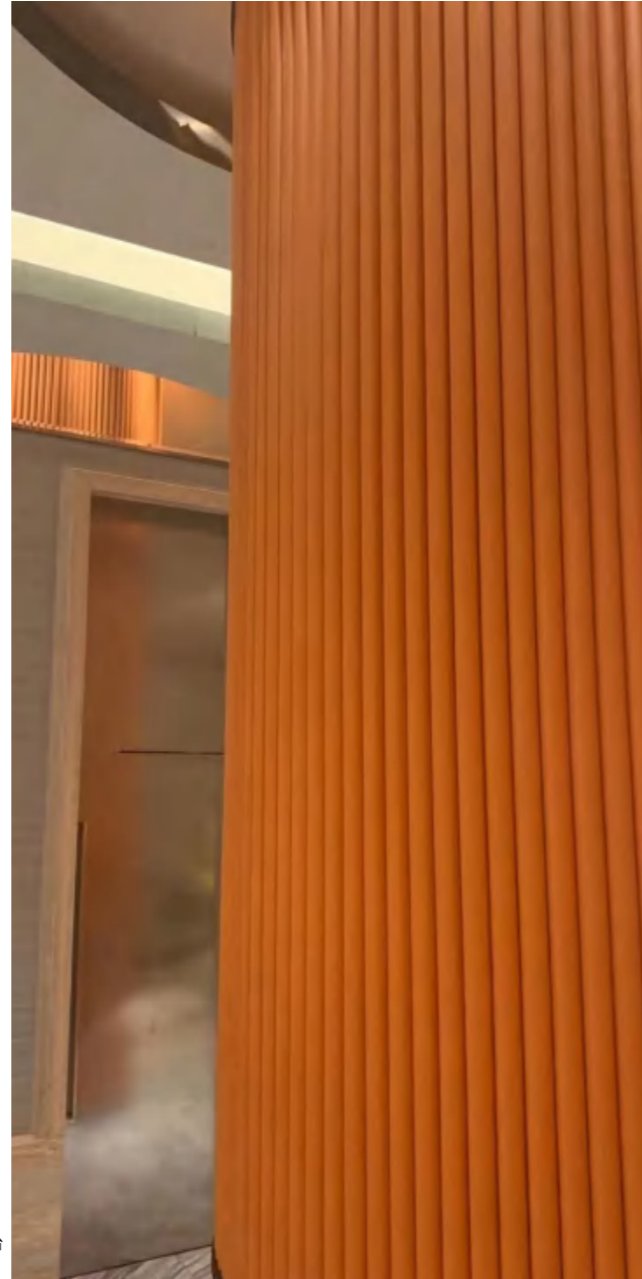
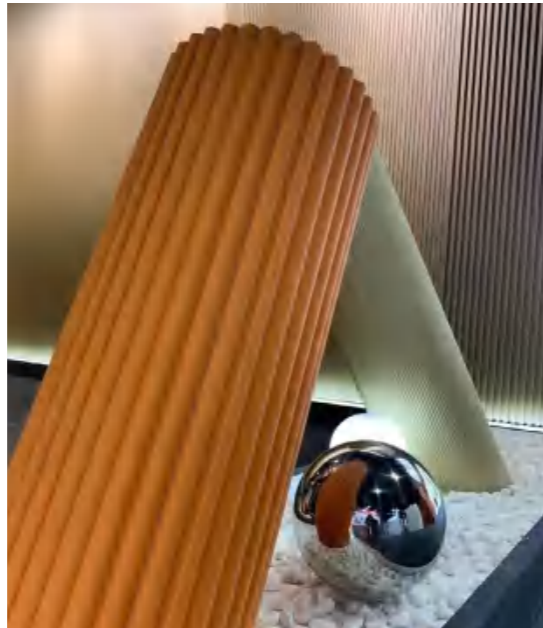
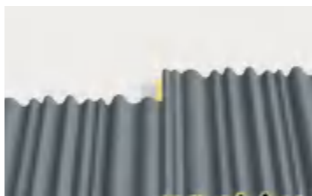
Pack Info		
Panels/Box:	14	
CBM/Box:	0.09	
Container Loading (Estimate 2.8m)		
20'GP:	270BOX	4010PCS
40'GP:	570BOX	8010PCS
40'HQ:	600BOX	8430PCS

Texture Selection





Application Area

HOTEL HOME LIBRARY SCHOOL MALL
SUPERMARKET OFFICE CLUB CATERING

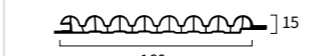




146BGZBLB

]14
146
FRONT SIZE AFTER INSTALLATION:
146mm(W)*3000mm(H)





160BYB

]15
160
FRONT SIZE AFTER INSTALLATION:
160mm(W)*3000mm(H)




170DBY

]18.5
170
FRONT SIZE AFTER INSTALLATION:
170mm(W)*3000mm(H)



195WYB

]14
195
FRONT SIZE AFTER INSTALLATION:
195mm(W)*3000mm(H)



226YHB

]20
226
FRONT SIZE AFTER INSTALLATION:
226mm(W)*3000mm(H)



145SXBYB

]13
145
FRONT SIZE AFTER INSTALLATION:
145mm(W)*3000mm(H)



100SXXBY

]9
100
FRONT SIZE AFTER INSTALLATION:
100mm(W)*3000mm(H)



150SXBGZBLB

]13.5
150
FRONT SIZE AFTER INSTALLATION:
150mm(W)*3000mm(H)



160SYB

]7.8
160
FRONT SIZE AFTER INSTALLATION:
160mm(W)*3000mm(H)

Explore More

Shapes
In Latest Designs

Sincerely,

Other Shapes

101XSJ

FRONT SIZE AFTER INSTALLATION:
101mm(W)*3000mm(H)

150JZT

FRONT SIZE AFTER INSTALLATION:
150mm(W)*3000mm(H)

201ZHSJB

FRONT SIZE AFTER INSTALLATION:
201mm(W)*3000mm(H)

Explore More

Shapes
In Latest Designs

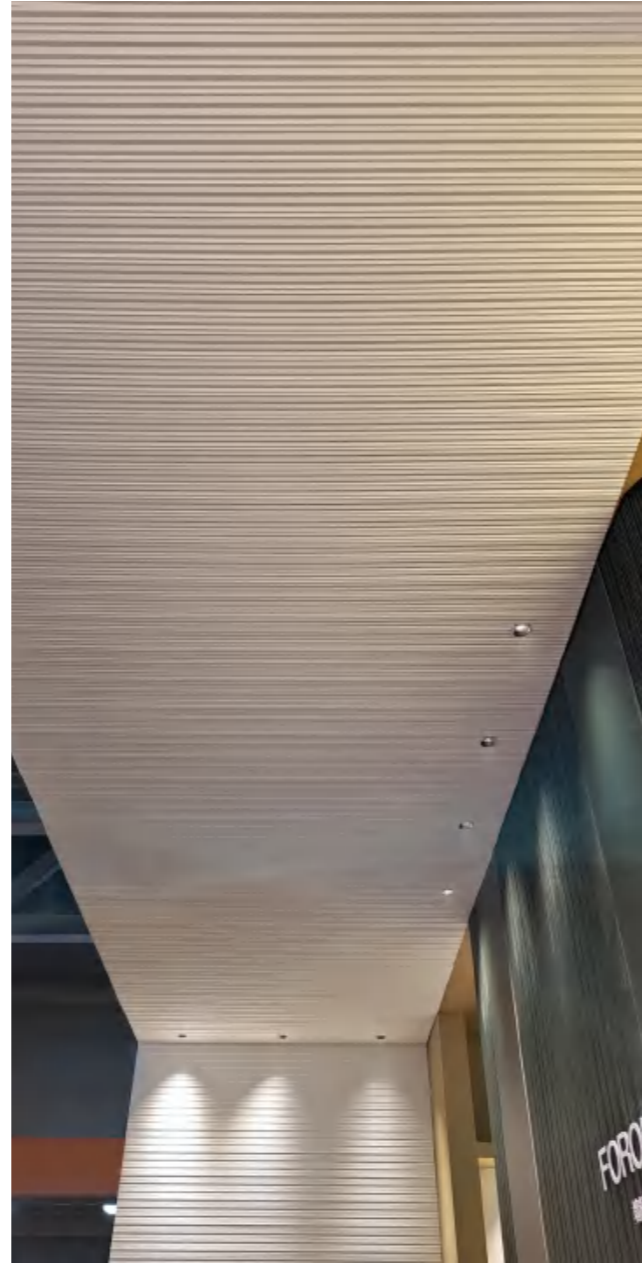
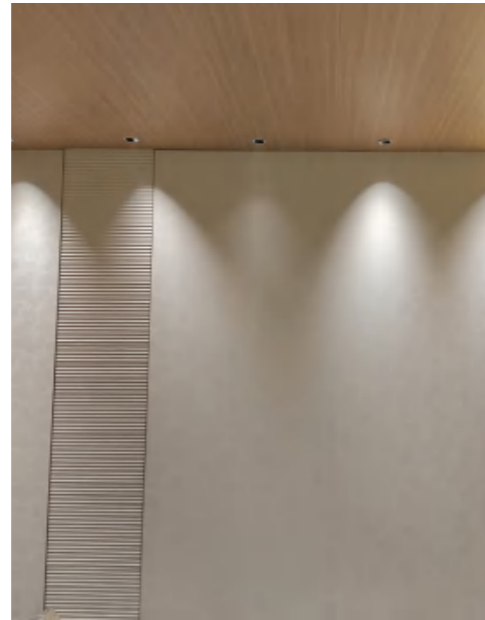
Sincerely,

120PB

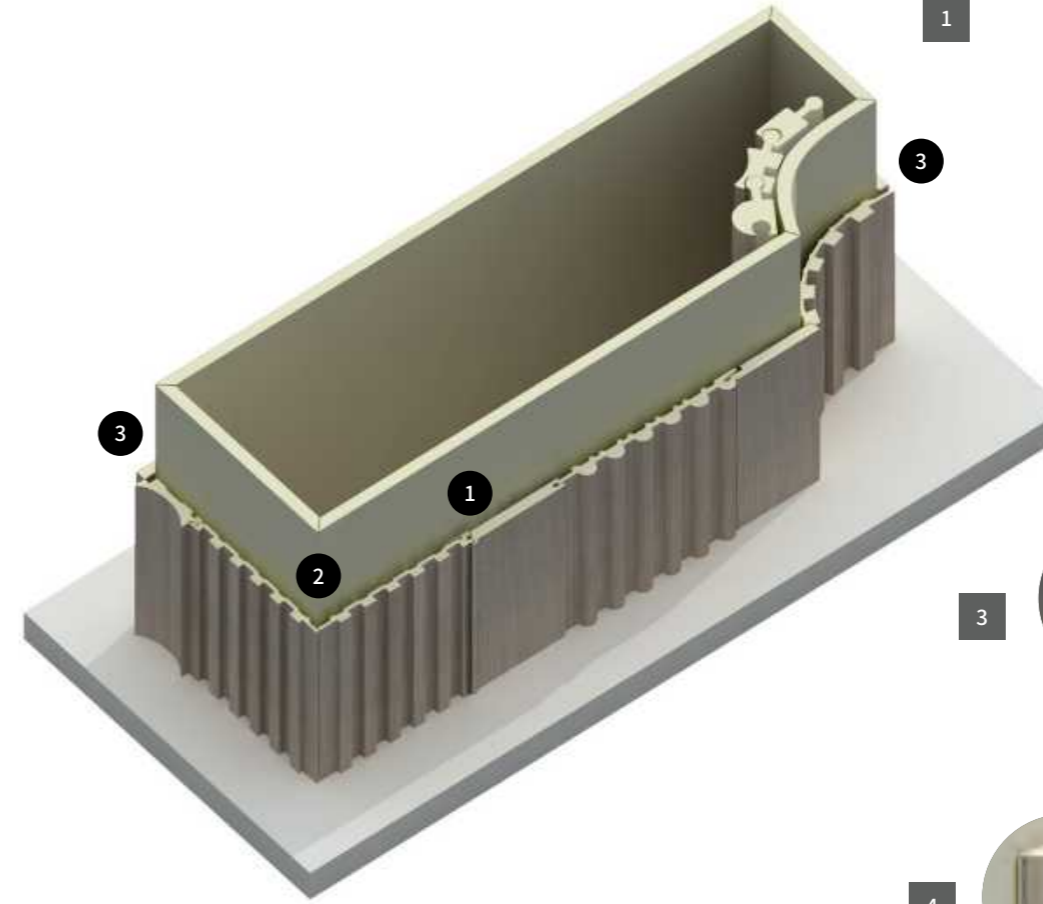
FRONT SIZE AFTER INSTALLATION:
120mm(W)*3000mm(H)

180ZSB

FRONT SIZE AFTER INSTALLATION:
180mm(W)*3000mm(H)



Connection and Finish Methods



1

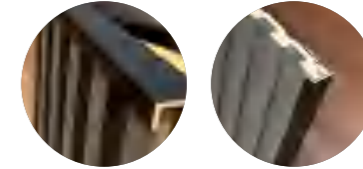
3

2

3

4

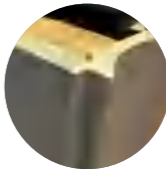
External Corner



Aluminum Profile Finish



Shapes Panel Joint With Shapes Panel



Shapes Panel Joint With Flat Board



Same Color BPC Profile Finish

MODEL: 25*25L

FRONT SIZE AFTER INSTALLATION:
25mm(W)*3000mm(H)

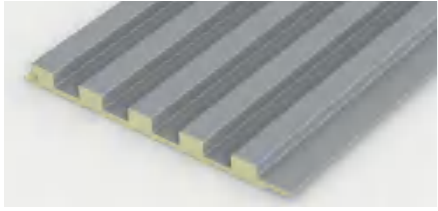
MODEL: End Cap
(Can Customize Same Color)

FRONT SIZE AFTER INSTALLATION:
7mm(W)*3000mm(H)

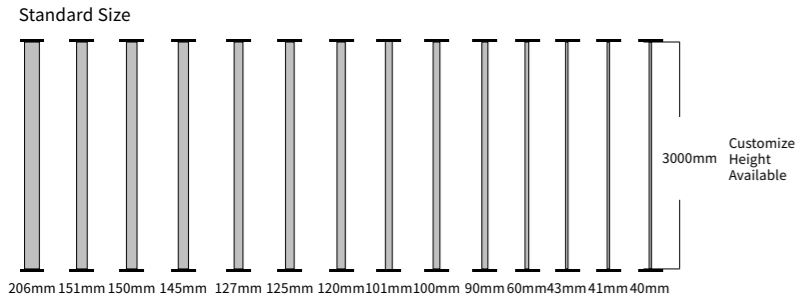
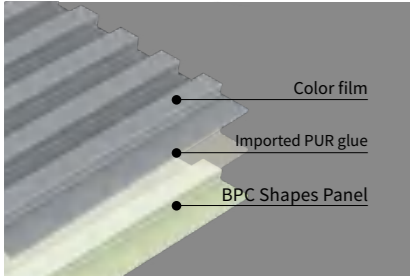
MODEL: 50ZJB

FRONT SIZE AFTER INSTALLATION:
50mm(W)*3000mm(H)

PRODUCT DESCRIPTION



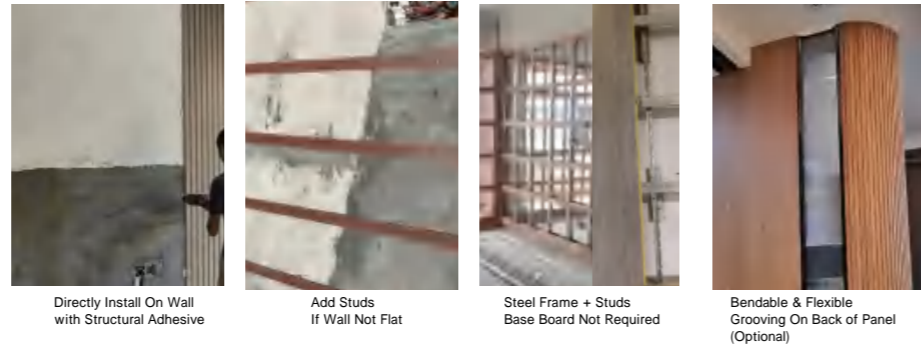
Base Material : Resin / Bamboo Powder/ Calcium Powder / Processing AIDS
 Surface Material : PVC
 Fire Proof Rating : B1/B2
 Formaldehyde Level: ENF/E0
 Certification : CE, SGS, ECO, CNAS, ISO 9001
 Application : Interior Wall & Ceiling Decoration



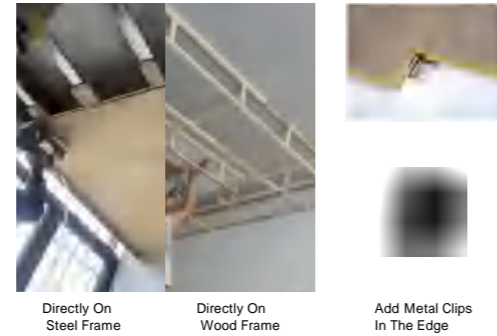
Certifications



INSTALLATION ENVIRONMENTS



CEILING INSTALLATION ENVIRONMENTS



INSTALLATION MATERIALS



INSTALLATION TOOLS



PANOVAR

PANOVAR WALL PANEL